



*Air for life*

## Technical Data Sheet

Flair 325 Enthalpy  
English



# Contents

1 Delivery. . . . .	3
1.1 Delivery size. . . . .	3
2 Version. . . . .	4
2.1 Technical information. . . . .	4
2.2 Connections and dimensions. . . . .	5
2.3 Exploded view of appliance. . . . .	7
3 Service. . . . .	8
3.1 Exploded view. . . . .	8
3.2 Service articles. . . . .	9
4 Conformity declaration. . . . .	11
5 ERP values. . . . .	12
6 Recycling. . . . .	14

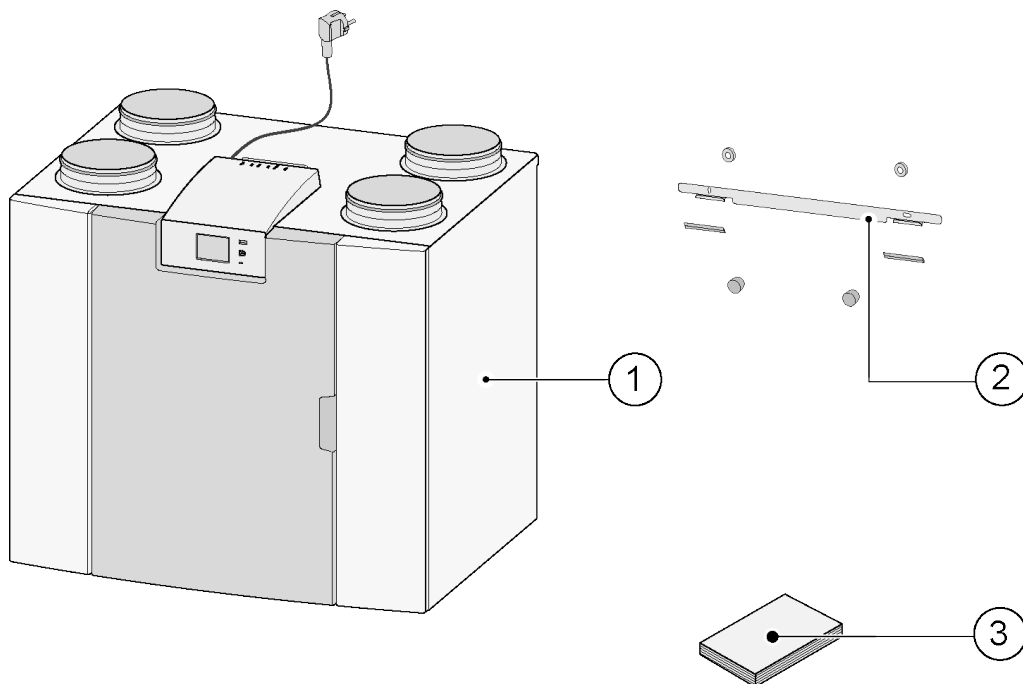
# 1 Delivery

## 1.1 Delivery size

Before installation of the heat recovery appliance is started, check that it has been supplied in complete and undamaged condition.

*The delivery size of the heat recovery appliance type Flair 325 Enthalpy consists of the following components:*

1. Heat recovery appliance
2. Wall mounting bracket consisting of:
  - 1x mounting bracket
  - 2 x protective caps
  - 2x rubber strip
  - 2x rubber rings
3. Documentation set consisting of:
  - 1x installation instructions
  - 1x occupant's instructions



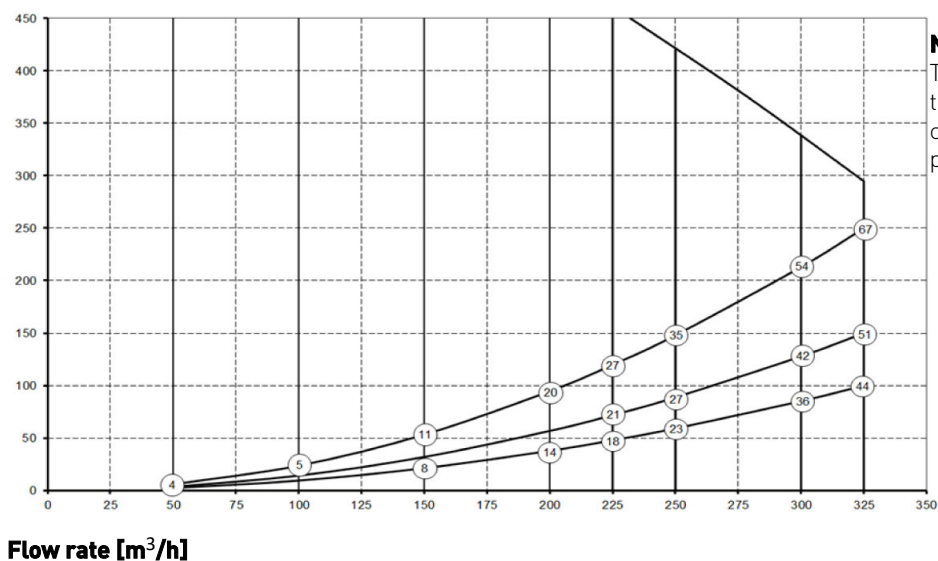
# 2 Version

## 2.1 Technical information

Flair 325 Enthalpy										
Supply voltage [V/Hz]	230V/50Hz									
Dimensions (w x h x d) [mm]	750 x 650 x 560									
Duct diameter [mm]ø	ø 160									
Weight [kg]	37									
Filter class	ISO Coarse 60% (ISO ePM1.0 for the air supply optional)									
Fan setting (factory setting)	0	1			2		3		max	
Factory setting [m³/h]	50	100			150		250		325	
Permissible resistance of duct system [Pa]	2	6	9	24	21	53	59	148	100	250
Rated power (excl. preheater) [W]	6.1	6.6	7.9	10.3	15.1	21.0	46.6	69.1	87.5	144.5
Rated current (excl. preheater) [A]	0.08	0.08	0.09	0.11	0.15	0.21	0.41	0.59	0.73	1.07
Max. rated current (incl. preheater switched on) [A]	6									
Rated power preheater [W]	1000									
Cos φ	0.341	0.343	0.389	0.394	0.430	0.439	0.492	0.507	0.521	0.542
Sound power										
Ventilation capacity [m³/h]				100	150	150	200	200	250	325
Sound power level Lw(A)	Static pressure [Pa]			25	25	50	50	100	150	150
	Casing radiation [dB(A)]			27	34	35	40	41	46	51
	Duct 'From dwelling' [db(A)]			32	40	38	46	44	49	55
	Duct 'To dwelling' [db(A)]			44	49	51	55	57	62	69

\*) Duct noise including end correction  
 In practice the value may differ by 1dB(A) through measurement tolerances.

### Resistance of duct system [Pa]

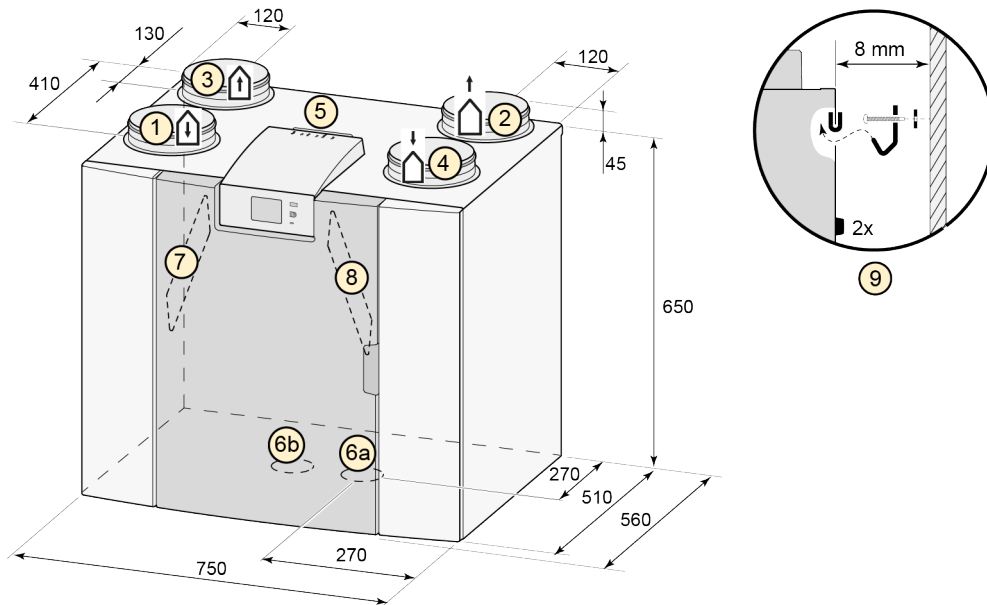


**Note:**  
 The stated value in the circle is the capacity (in Watt) per fan

## 2.2 Connections and dimensions

The Flair appliance is available in a left-hand and right-hand version. With a left-hand version the “warm” connections (from dwelling 3 and to dwelling 1) are on the left-hand side of the appliance; the sealing cap is then fitted in the right-hand opening at the bottom of the appliance. With a right-hand version the “warm” connections (1 & 3) are on the right-hand side of the appliance.

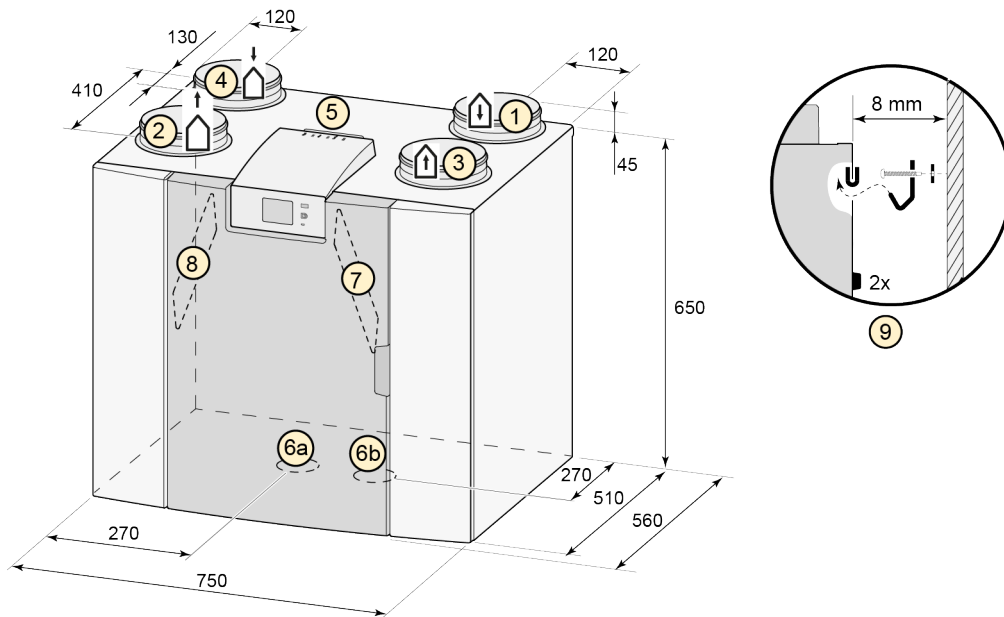
### Left-hand version



All dimensions in millimeters. Diameter of all collars is 160 mm

<b>1</b>	Supply air	
<b>2</b>	Exhaust air	
<b>3</b>	Extract	
<b>4</b>	Outdoor air	
<b>5</b>	Electrical connections	
<b>6a</b>	Sealing cap	
<b>6b</b>	Sealing cap unused condensate discharge connection; do not remove!	
<b>7</b>	Extract air filter	
<b>8</b>	Supply air filter	
<b>9</b>	Mounting bracket	

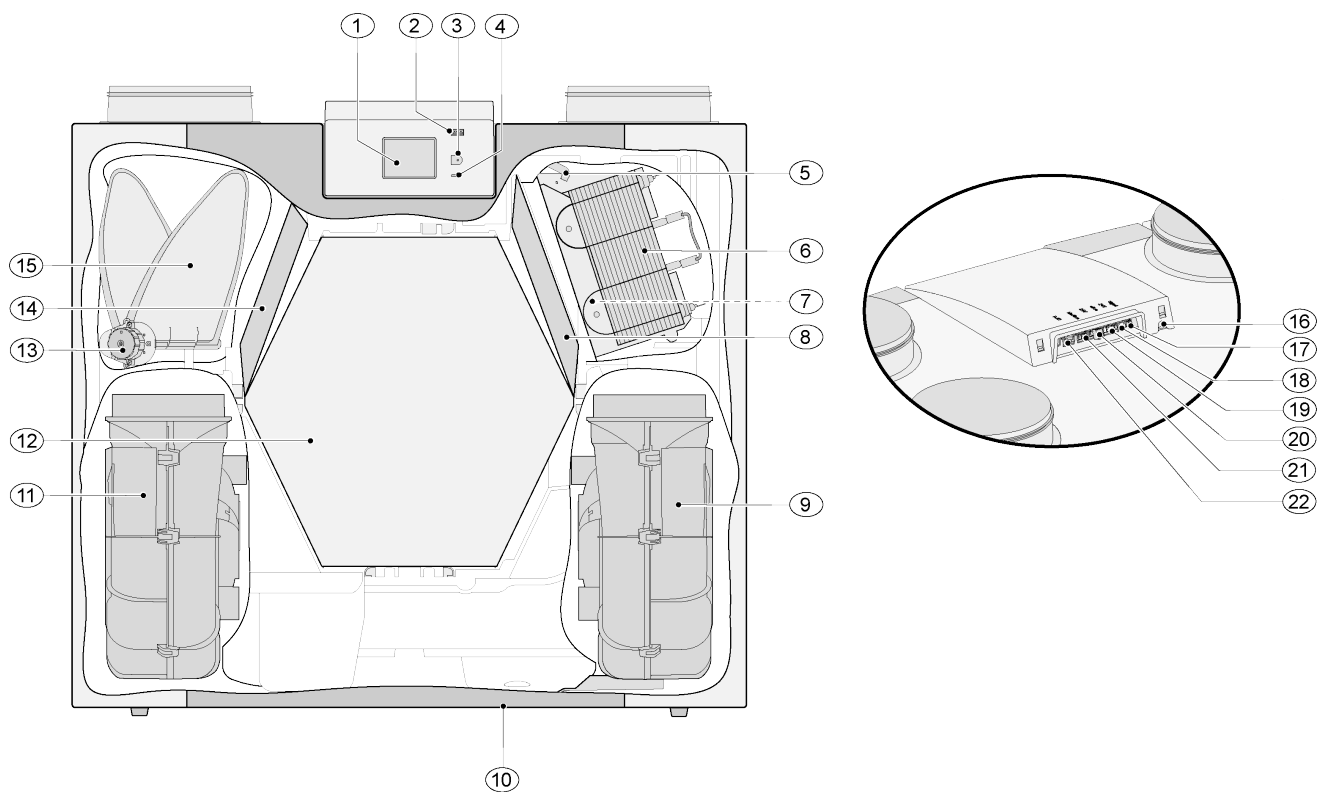
Right-hand version



All dimensions in millimeters. Diameter of all collars is 160 mm

<b>1</b>	Supply air	
<b>2</b>	Exhaust air	
<b>3</b>	Extract	
<b>4</b>	Outdoor air	
<b>5</b>	Electrical connections	
<b>6a</b>	Sealing cap	
<b>6b</b>	Sealing cap unused condensate discharge connection; do not remove!	
<b>7</b>	Extract air filter	
<b>8</b>	Supply air filter	
<b>9</b>	Mounting bracket	

## 2.3 Exploded view of appliance



The appliance shown above is a left-hand version: in the case of a right-hand version, the connector of the preheater and bypass valve are installed in mirror image!

1	Touchscreen	12	Enthalpy heat exchanger
2	USB connector (X13)	13	Motor bypass valve
3	Service connector	14	Discharge filter
4	LED indicator	15	Bypass valve
5	Maximum protection preheater	16	Power cable 230 volt
6	Preheater	17	Relay output (X19 )
7	Temperature sensor	18	24 volt connector (X18)
8	Supply filter	19	eBus connector (X17)
9	Exhaust fan	20	24 volt connector (X16)
10	Sealing cap	21	Modbus/ internal bus connector (X15)
11	Supply ventilator	22	Multiple position switch connector (X14)

# 3 Service

## 3.1 Exploded view

When ordering parts, in addition to the article code number (see exploded view), please state the heat recovery appliance type, the serial number, the year of production and the name of the part:

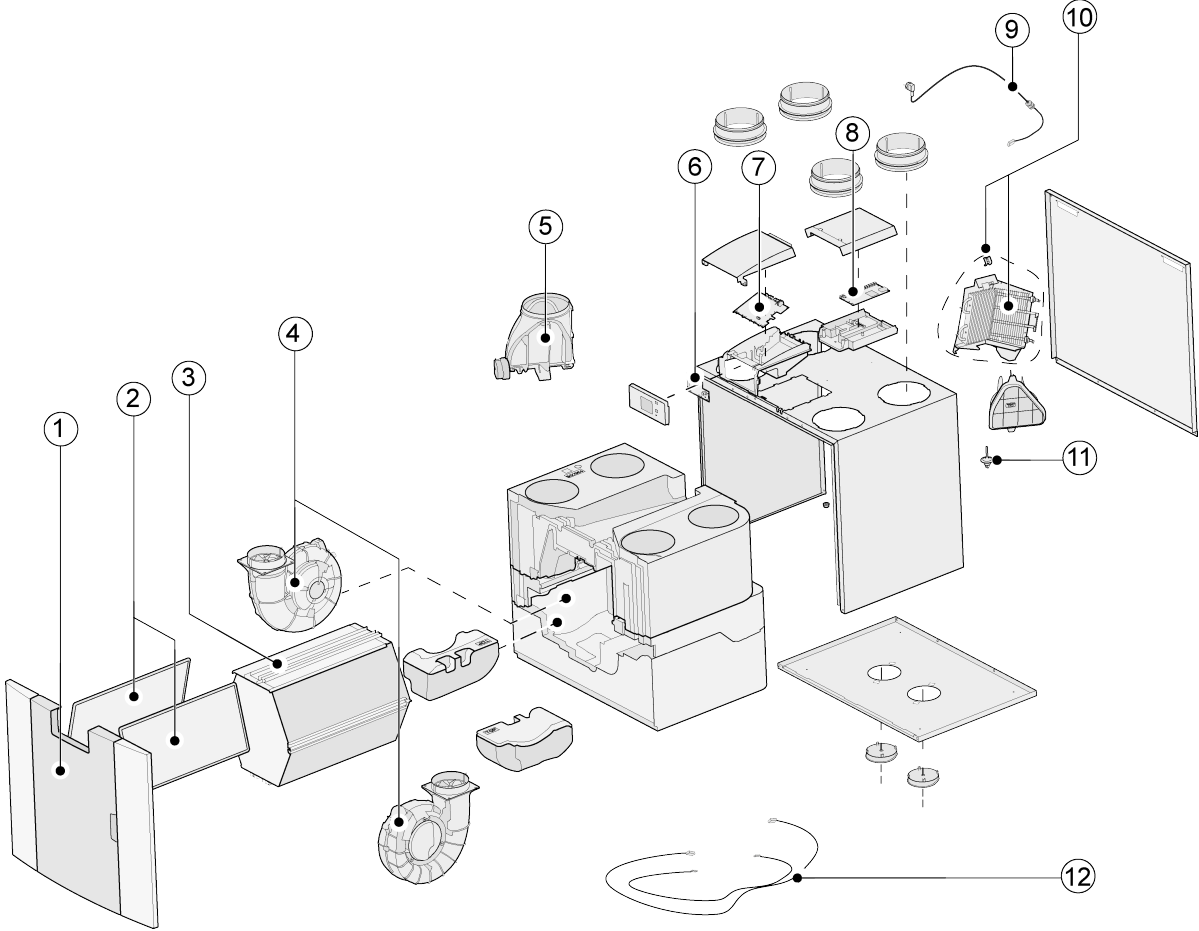
**N.B.:** Appliance type, serial number and year of production are stated on the identification plate behind the plastic front panel on the appliance.

---

Example	
Appliance type	Flair 325 Enthalpy
Serial number	430012220201
Year of production	2023
Part	Fan
Article code	532759
Quantity	1



### 3.2 Service articles



No.	Article description	Article code
1	Front panel complete	532763
2	Filters (2 items) ISO Coarse 60%	532716
3	Enthalpy heat exchanger	532710
4	Fan (1 item)	532759
5	Bypass valve with motor complete	532760
6	Display pcb	532752
7	Appliances manufactured <b>before 01-01-2023</b> : Basic pcb UWA2-B + display	532750
	Appliances manufactured <b>after 01-01-2023</b> : Basic pcb UWA2-B	532966
8	Plus pcb U(only applicable with Plus version)	532751
9	Mains plug and cable 230 V **	532756
10	Internal preheater incl. maximum security	532761
11	Temperature sensor NTC 10K	531775
12	Cable set	532767

\* The power cable is fitted with a circuit board connector. When replacing it, always order a replacement mains cable from Brink.  
**To prevent dangerous situations, a damaged mains connection can only be replaced by a qualified expert.**



# 5 ERP values

Technical information sheet Flair 325 Enthalpy in accordance with Ecodesign (ErP), no. 1254/2014 (Annex IV)					
Manufacturer:		Brink Climate Systems B.V.			
Model:		Flair 325 Enthalpy			
Climate zone	Type of control	SEC Value in kWh/m <sup>2</sup> /a	SEC Class	Annual electricity consumption (AEC) in kWh	Annual heating saved (AHS) in kWh
Average	Manual	-38.75	A	220	4359
	clock control	-39.45	A	203	4386
	1x sensor (RV/CO <sub>2</sub> /VOC)	-40.78	A	172	4440
	2 or more sensors (RV/CO <sub>2</sub> /VOC)	-43.18	A+	119	4548
Cold	manual	-75.07	A+	757	8527
	clock control	-76.02	A+	740	8580
	1x sensor (RV/CO <sub>2</sub> /VOC)	-77.87	A+	709	8686
	2 or more sensors (RV/CO <sub>2</sub> /VOC)	-81.31	A+	656	8898
Hot	manual	-15.33	E	175	1971
	clock control	-15.88	E	158	1983
	1x sensor (RV/CO <sub>2</sub> /VOC)	-16.91	E	127	2008
	2 or more sensors (RV/CO <sub>2</sub> /VOC)	-18.72	E	74	2057
Type of ventilation unit:		Balanced residential ventilation appliance with heat recovery			
Fan:		EC - fan with infinitely variable control			
Type of heat exchanger:		Regenerative plastic cross-counterflow heat exchanger			
Thermal efficiency		83%			
Maximum flow rate:		325 m <sup>3</sup> /h			
Maximum rated power:		144.5 W			
Sound power level L <sub>wa</sub> :		41 dB(A)			
Reference flow rate:		228m <sup>3</sup> /h			
Reference pressure:		50Pa			
Specific Power Input (SEL):		0.14 Wh/m <sup>3</sup>			
Control factor:		1.0 in combination with multiple switch			
		0.95 in combination with clock control			
		0.85 in combination with 1 sensor			
		0.65 in combination with 2 or more sensors			
Leakage*	Internal	1,2 %			
	External	1,4 %			
Position dirty filter indication:		On the display of the appliance / on the multiple switch (LED) / on the Brink Air Control. <b>Attention!</b> For optimal energy efficiency and a proper operation, a regular filter inspection, cleaning or replacement is necessary.			
Internet address for Assembly instructions:		<a href="http://www.brinkclimatesystems.nl/nl-nl/professionals">http://www.brinkclimatesystems.nl/nl-nl/professionals</a>			
Bypass:		Yes, 100% Bypass			

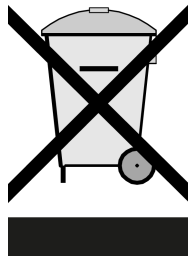
\* Measurements executed by TZWL according to the EN 13141-7 standard

<b>Classification from 1 January 2016</b>	
SEC class ("Average climate zone" )	SEC in kWh/m <sup>2</sup> /a
A+ (Most efficient)	SEC < -42
A	-42 ≤ SEC < -34
B	-34 ≤ SEC < -26
C	-26 ≤ SEC < -23
D	-23 ≤ SEC < -20
G (Least efficient)	-20 ≤ SEC < -10

# 6 Recycling

## Recycling

Sustainable materials are used in the manufacture of this appliance. The packaging should be disposed of in a responsible manner and in accordance with governmental regulations.







**Brink Climate Systems B.V.**

Wethouder Wassebaliestraat 8, NL-7951SN Staphorst

T: +31 (0) 522 46 99 44

E. [info@brinkclimatesystems.nl](mailto:info@brinkclimatesystems.nl)

[www.brinkclimatesystems.nl](http://www.brinkclimatesystems.nl)