



# Installation regulations

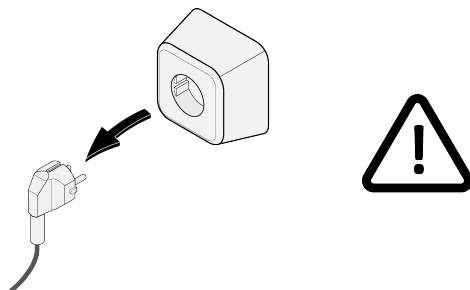
Enthalpy Heat exchanger  
English



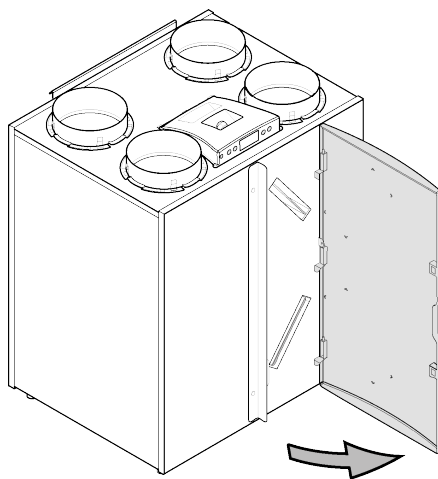
*Air for Life*

## Mounting Enthalpy Heat Exchanger Excellent 300/400

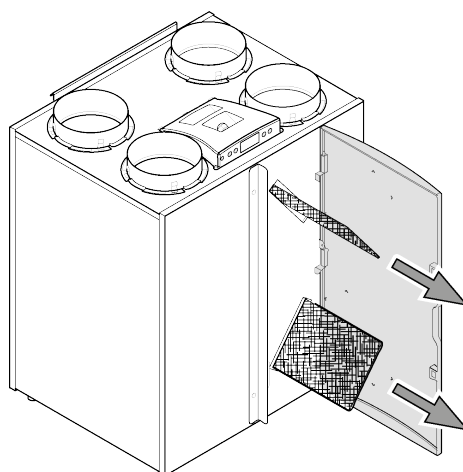
1



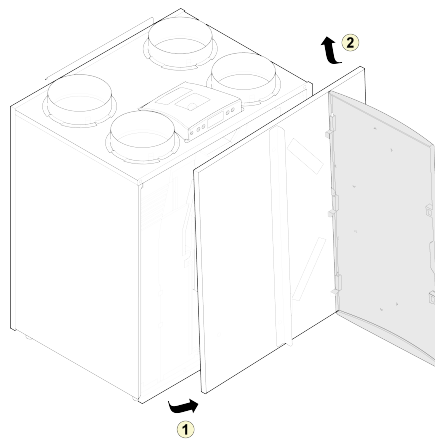
2



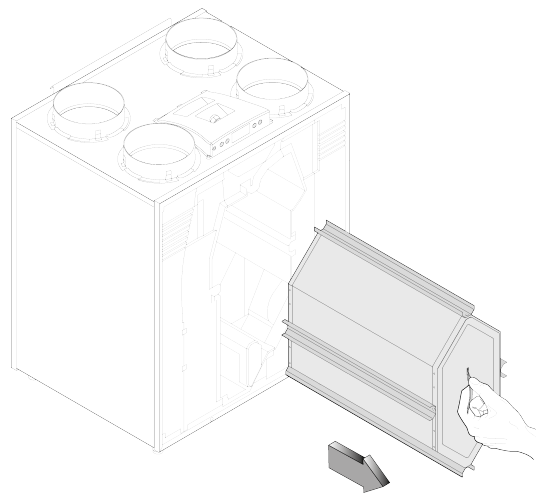
3



4

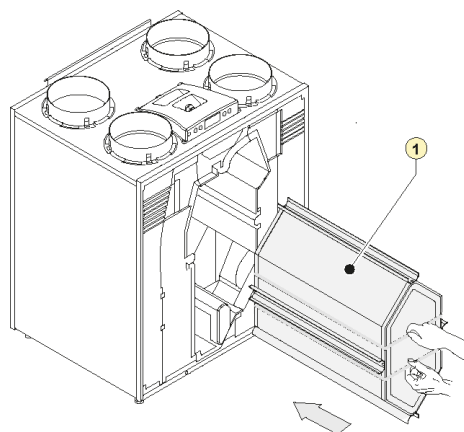


5



6

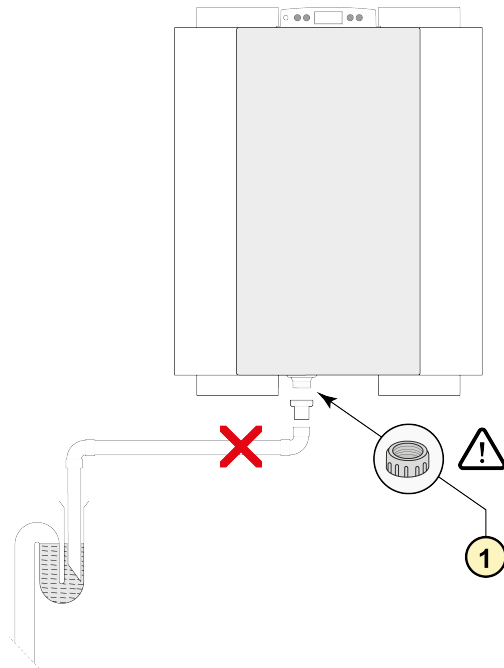
Place the enthalpy heat exchanger into the appliance.



1 = Heat exchanger article code:  
532059

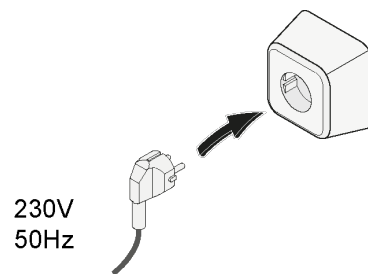
**7** Place the frontcover and filters back.  
Close the filterdoor.

**8**



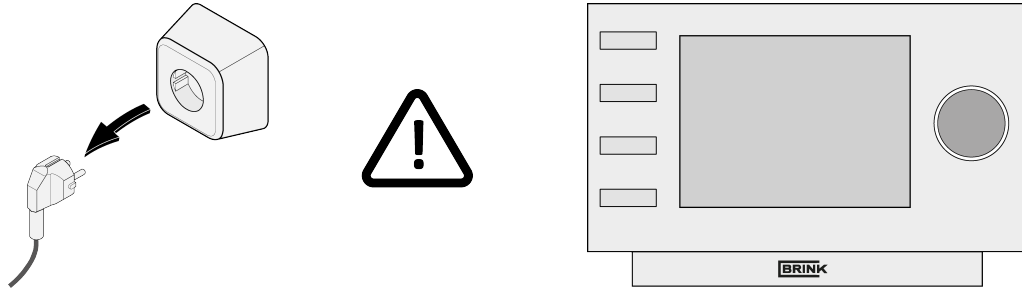
1 = Close the condensate discharge with the supplied cap.

**9**

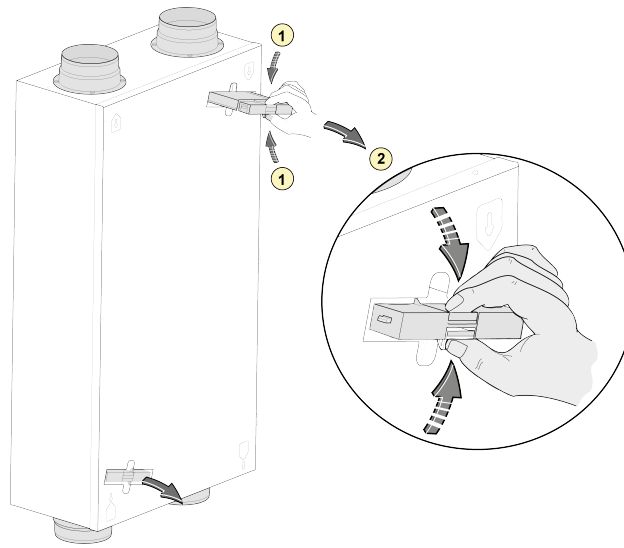


## Mounting Enthalpy Heat Exchanger Sky 300

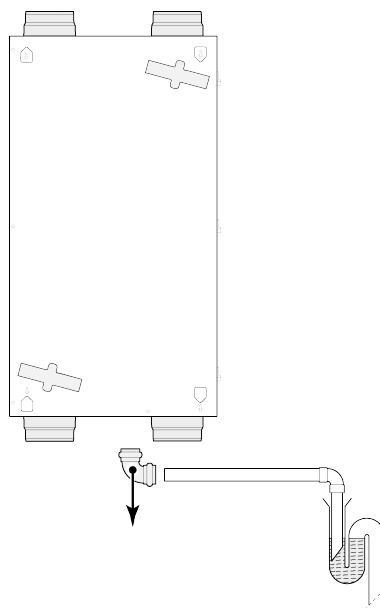
1



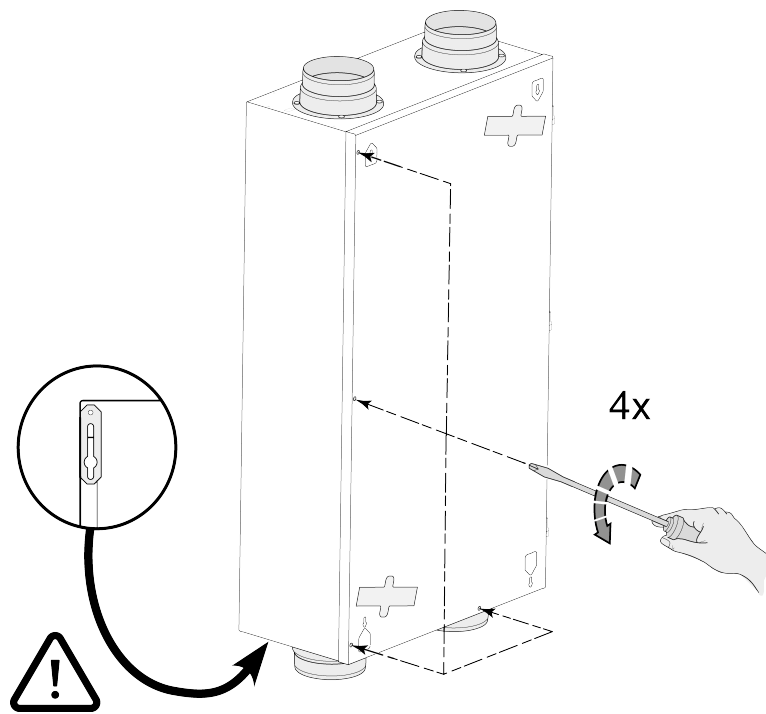
2



3

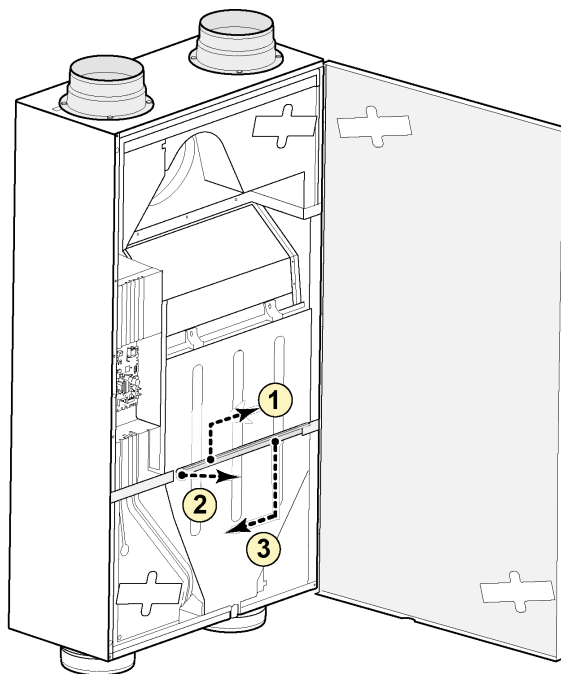


4

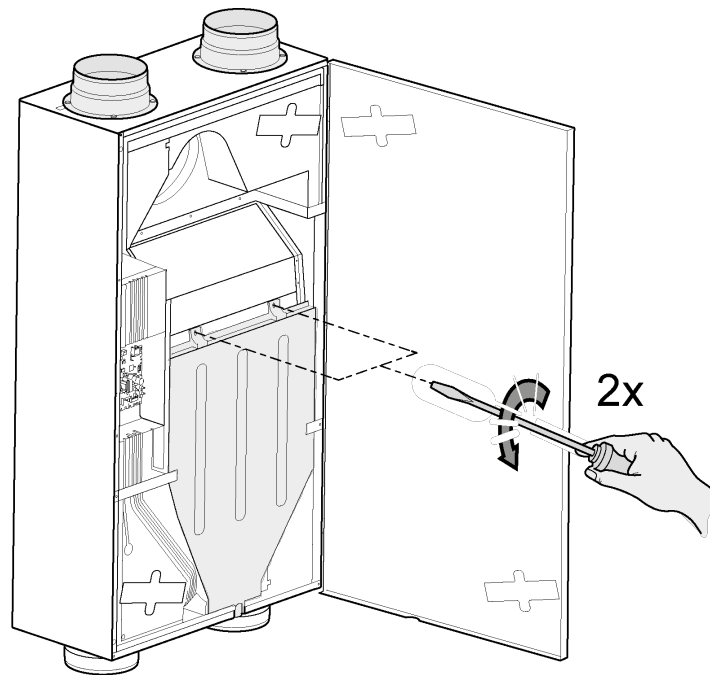


5 Swing open the front panel (can also be taken from the hinges, if required).

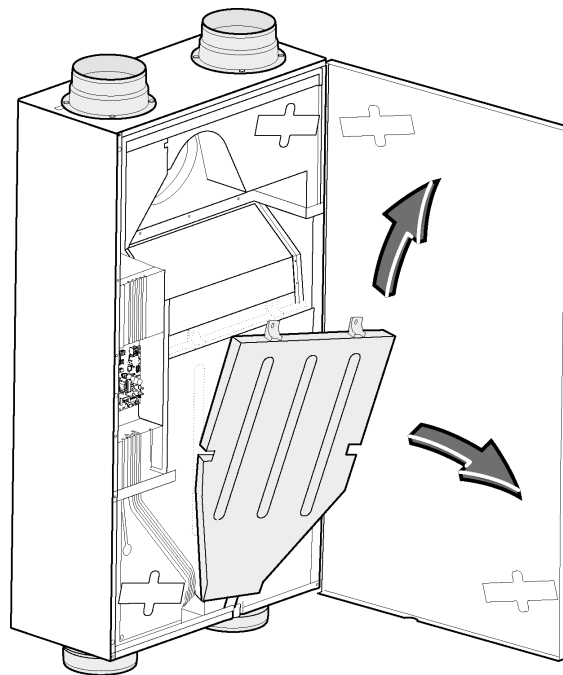
6



7

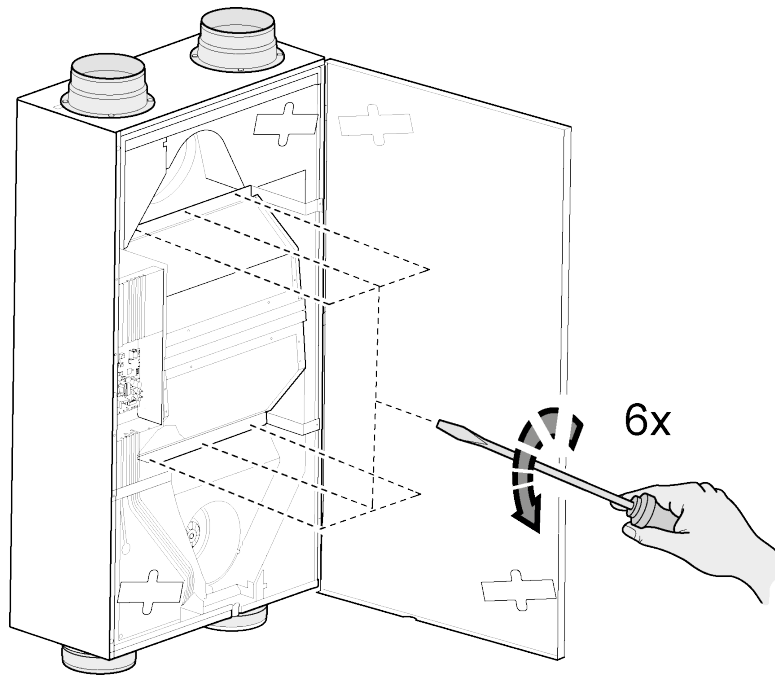


8

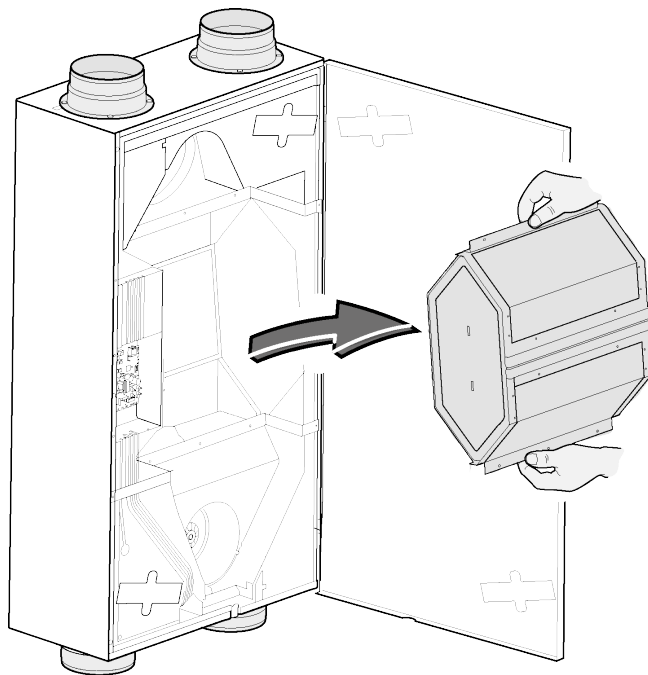


For ceiling mounting, carefully remove the condensate bin; there may be still some condensate left in the condensate bin.

9

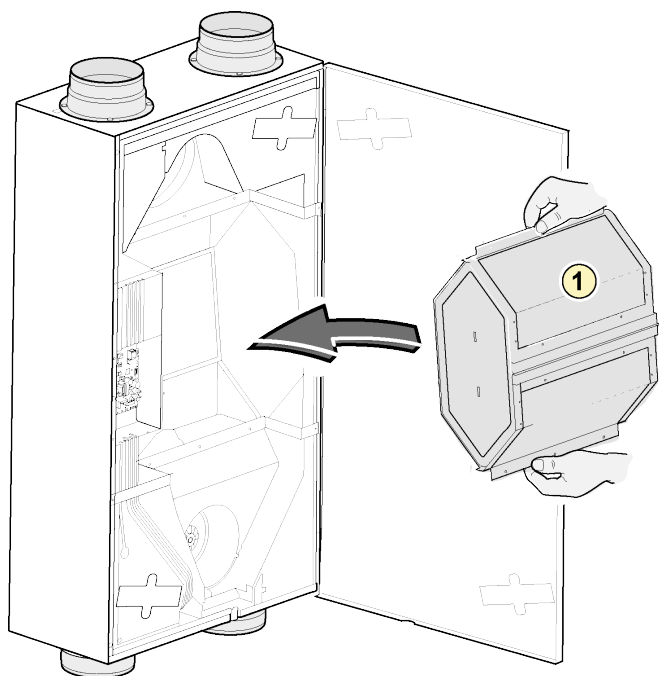


10





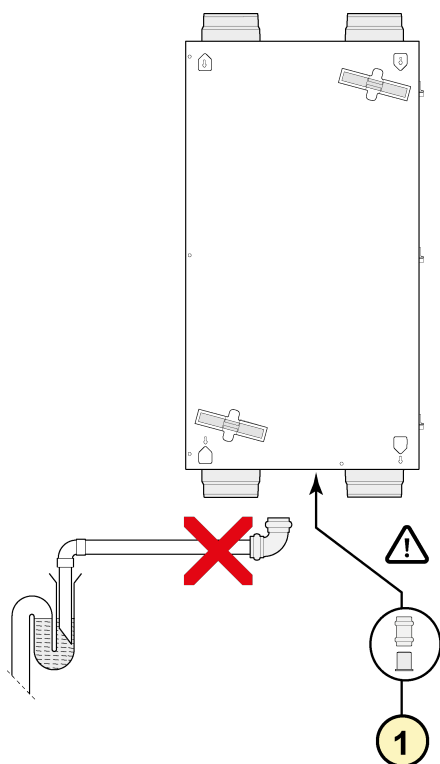
- 11** Place the enthalpy heat exchanger into the appliance.



1 = Enthalpy heat exchanger  
article code: 532060

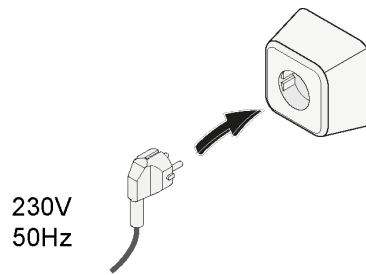
- 12** Place the condensate bin, the frontcover and the filters back.

- 13**

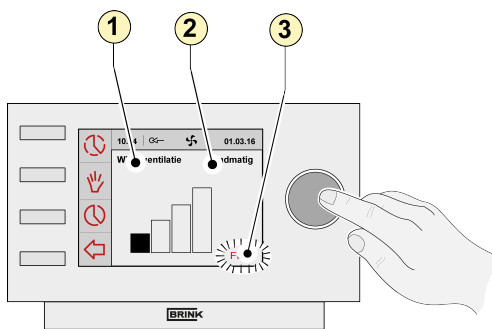
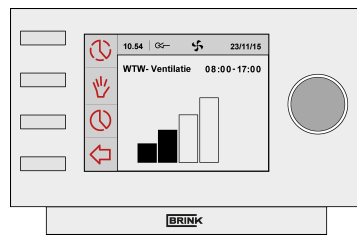


1 = Close the condensate  
discharge with the supplied  
sliding sleeve & cap.

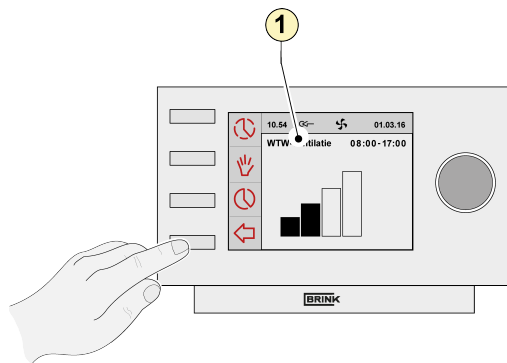
14



15



- 1 = heat recovery ventilation
- 2 = manually
- 3 = filter notification



- 1 = heat recovery ventilation



Brink Climate Systems BV  
P.O. Box 11 NL-7950AA Staphorst  
T +31 (0) 522 46 99 44

E [info@brinkclimatesystems.com](mailto:info@brinkclimatesystems.com)  
[www.brinkclimatesystems.com](http://www.brinkclimatesystems.com)  
[www.brinkairforlife.com](http://www.brinkairforlife.com)